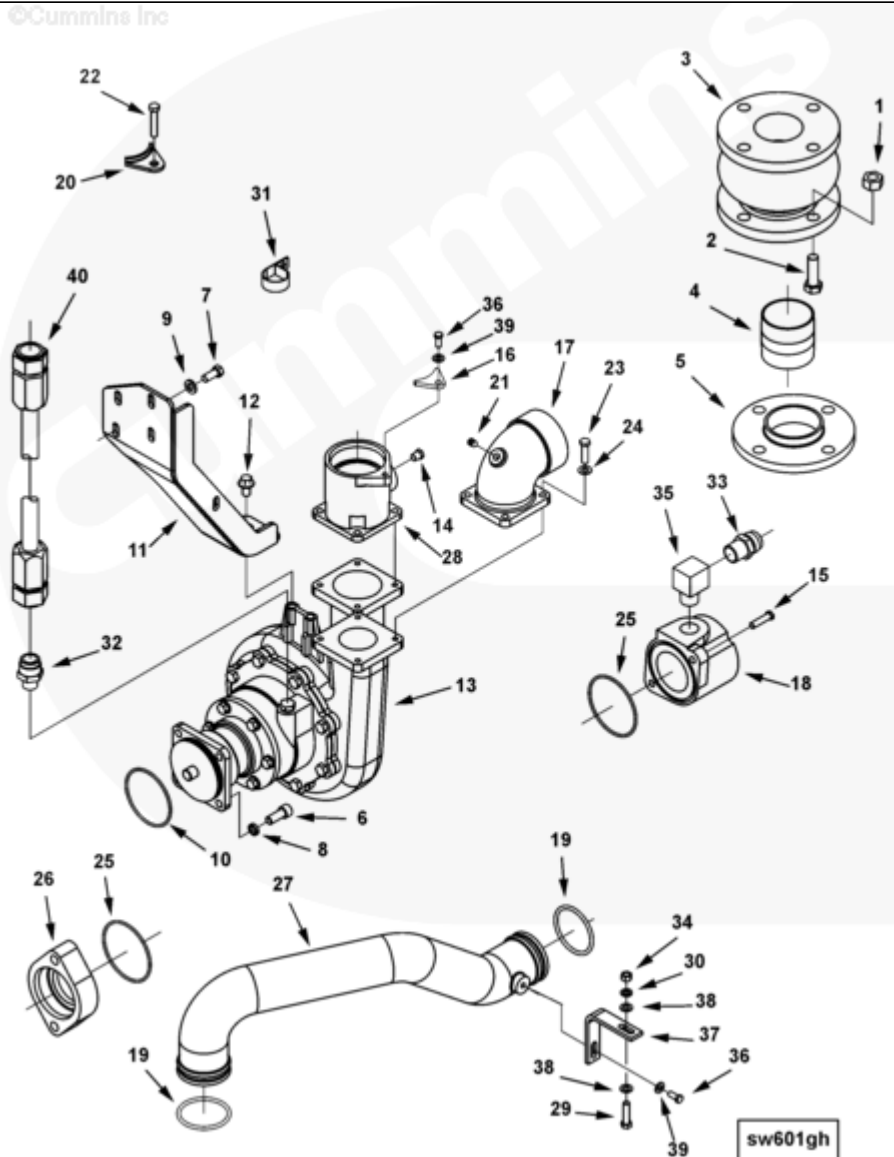




Parts Catalog - Option Detail

Electronic Parts Catalog - Option Detail				
Option	Group	Graphic	Film Card	Date
SW6025-02	08.11	sw601gh	K38	11-OCT-04
Engines	GTA38, K38, KTA38GC CM558, QSK38 CM2150 K106, QSK38 CM2150 MCRS, QSK38 CM850 MCRS			



[SMALL](#) | [MEDIUM](#) | [LARGE](#)

Cart	Ref No	Part Number	Part Description	Required	Remarks
<input type="button" value="View My Cart"/>					
		SW6025-02	Sea Water Pump		Sea water pump 300...(More)

					usgpm bronze impeller, self
					priming sea water pump for
					use with integral heat
					exchanger. Clockwise
					rotation, when viewed from
					the front of the engine.
					Includes kitted flexible
					seawater connections with
					flame retardant neoprene hump
					hose and a 4 bolt ASA type
					flange with 3/4in. through
					bolts equally spaced on a
					5.5in. bolt circle.
					Refer to mab 60,08,17 -
					07/16/2001 for pump
					installation limits and
					performance characteristics.
<input type="checkbox"/>	1	70453	Heavy Hexagon Nut	8	5/8 - 11 UNC.
<input type="checkbox"/>	2	103274	Hexagon Head Cap Screw	8	5/8 - 11 X 2 Inch.
<input type="checkbox"/>	3	4020120	Water Transfer Connection	2	
<input type="checkbox"/>	4	4020123	Plain Pipe Nipple	2	
<input type="checkbox"/>	5	4020126	Flange	2	
<input type="checkbox"/>	6	S 184 A	Socket Head Cap Screw	4	1/2 - 13 X 1 1/4 in.
<input type="checkbox"/>	7	103023	Hexagon Head Cap Screw	4	7/16 - 14 X 1 in.
<input type="checkbox"/>	8	111445	Lock Washer	4	
<input type="checkbox"/>	9	3000082	Plain Washer	4	15/32 in.
<input type="checkbox"/>	10	3033248	O-Ring Seal	1	
<input type="checkbox"/>	11	3634754	Sea Water Pump Bracket	1	
<input type="checkbox"/>	12	3913372	Hexagon Flange Head Cap Screw	2	M12 X 1.75 X 20.
<input type="checkbox"/>	13	4078936	Sea Water Pump	1	Engines built with niagara

					heat exchanger (option
					HX6113) and sea water pump
					(407893 6) must also use
					water transfer tube (4078928)
					-j.s. Hughes 2/02.
<input type="checkbox"/>	14	3278093	Pipe Plug	1	1/4 NPT
<input type="checkbox"/>	15	3393630	Hexagon Head Cap Screw	2	
<input type="checkbox"/>	16	3637472	Tube Clamp	1	
<input type="checkbox"/>	17	3393407	Water Inlet Connection	1	
<input type="checkbox"/>	18	3393409	Water Outlet Connection	1	
<input type="checkbox"/>	19	3393521	O-Ring Seal	2	
<input type="checkbox"/>	20	3637473	Tube Clamp	2	
<input type="checkbox"/>	21	3628605	Pipe Plug	2	1/4 - 18.
<input type="checkbox"/>	22	3632198	Hexagon Head Cap Screw	2	
<input type="checkbox"/>	23	3633869	Hexagon Head Cap Screw	4	
<input type="checkbox"/>	24	3897748	Plain Washer	12	
<input type="checkbox"/>	25	3897787	O-Ring Seal	2	
<input type="checkbox"/>	26	4058150	Water Transfer Connection	1	
<input type="checkbox"/>	27	4078928	Water Transfer Tube	1	
<input type="checkbox"/>	28	4078934	Water Outlet Connection	1	
<input type="checkbox"/>	29	S 103 D	Hexagon Head Cap Screw	1	3/8 - 16 x 1 1/4 in.
<input type="checkbox"/>	30	S 604	Lock Washer	1	3/8 in.
<input type="checkbox"/>	31	68189	Clip	1	
<input type="checkbox"/>	32	204337	Male Connector	1	
<input type="checkbox"/>	33	3034122	Male Connector	1	
<input type="checkbox"/>	34	3201128	Regular Hexagon Nut	1	3/8 - 16 UNC.
<input type="checkbox"/>	35	3250596	Plain Adapter Elbow	1	
<input type="checkbox"/>	36	3349015	Hexagon Head Cap Screw	2	
<input type="checkbox"/>	37	3393226	Water Tube Bracket	1	

<input type="checkbox"/>	38	3628902	Plain Washer	2	
<input type="checkbox"/>	39	3897359	Plain Washer	2	
<input type="checkbox"/>	40	4078704	Flexible Hose	1	

© 2019 Cummins Inc., Box 3005, Columbus, IN 47202-3005 U.S.A.
Terms of Use and Disclaimers | Recommended System Requirements
Need Assistance? Please click on the Contact Us button in the top right corner of any page.